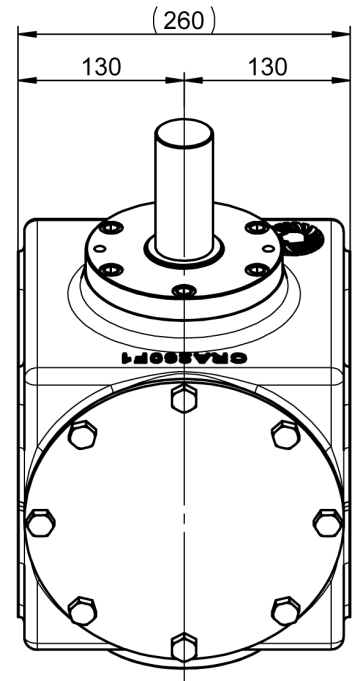
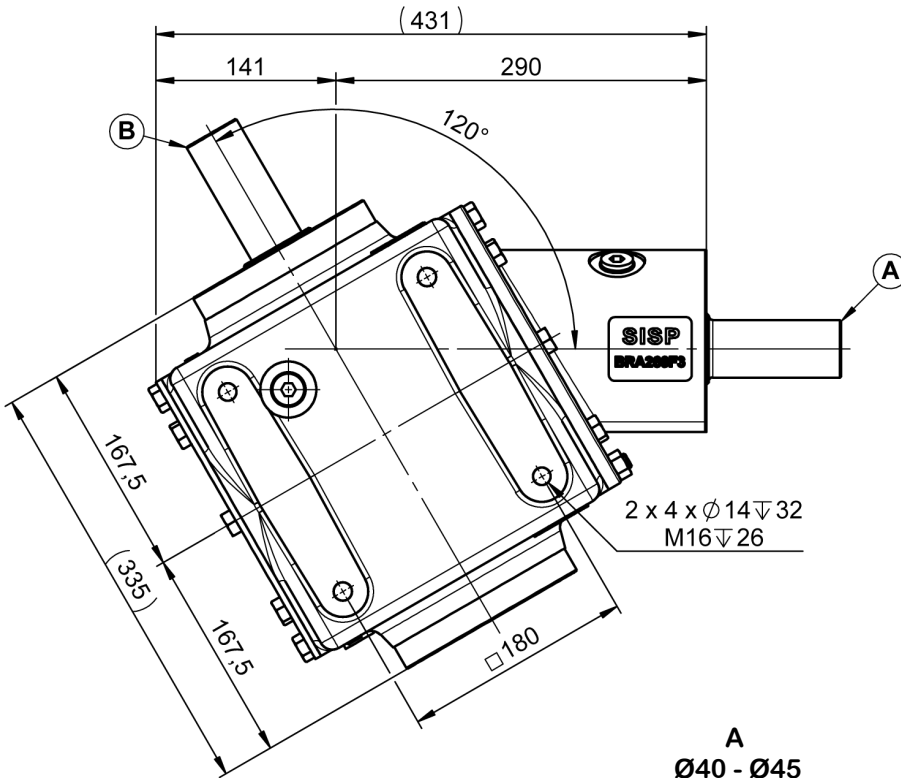




# RA260 RENVOI D'ANGLE

## RA260 GEARBOX (120°)



**A**  
 Ø40 - Ø45  
 1"3/8 (6) - 1"3/4 (6)  
 1"3/4 (20) - Ø45 (16)

**B**  
 Ø40 - Ø45  
 1"3/8 (6) - 1"3/4 (6)  
 1"3/4 (20) - Ø45 (16)  
 Ø55 (20)



RAPPORT RATIO	A				B	
	T/MN - RPM	CV - HP	KW	NM	T/MN - RPM	NM
1/1.85	540	207	152	2748	292	5072
	1000	354	261	2540	540	4684

