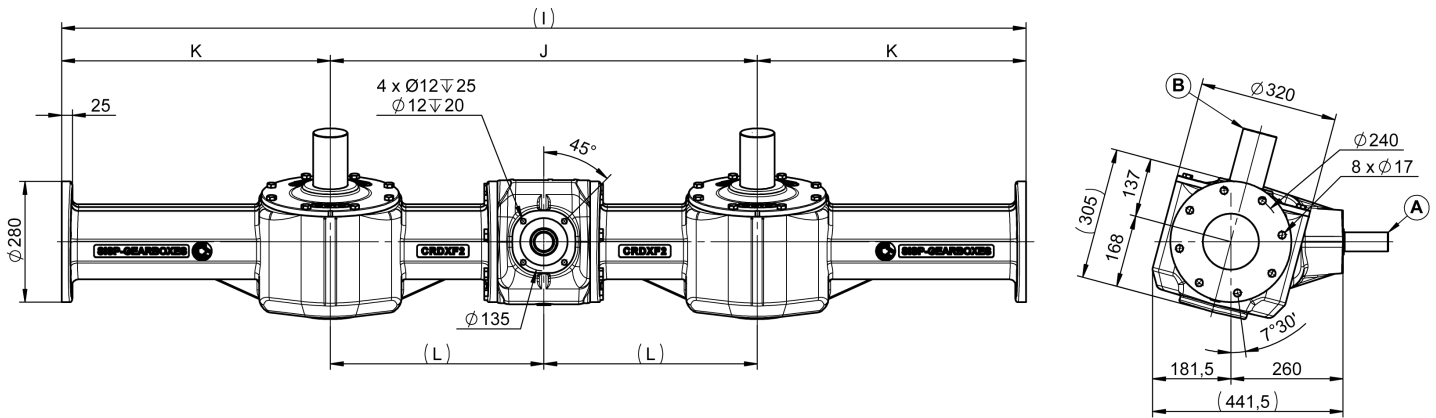
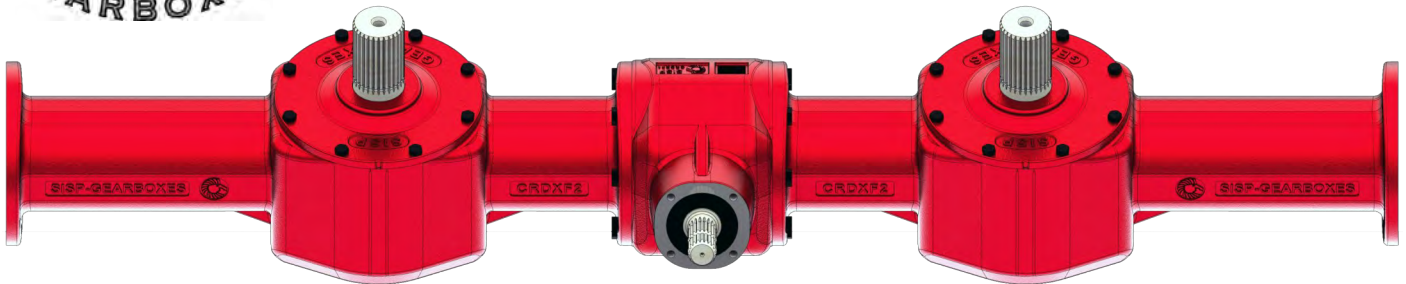




# RDX POUTRE MONOBLOC

## RDX MONOBLOC GEARBOX

970 - 990



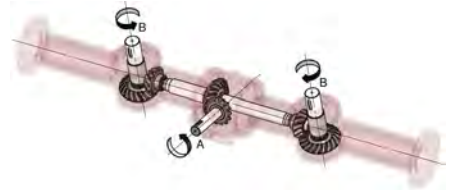
**A**  
1"3/4 (20)  
2"1/4 (22)

**B**  
Ø80(30)

\*Autres angles disponibles  
\*Other angles available

| Dimensions par référence / Dimensions by reference |        |        |        |        |                 |                     |
|--|--------|--------|--------|--------|-----------------|---------------------|
| Ref. / Dimension                                   | I (mm) | J (mm) | K (mm) | L (mm) | Huile / Oil (l) | Poids / Weight (kg) |
| RDX970   | 2100   | 970    | 565    | 485    | 20              | 390                 |
| RDX990   | 2130   | 990    | 570    | 495    | 20              | 399                 |

N° P4



| COUPLE ET PUISSANCE RDX / TORQUE AND POWER RDX |            |         |     |      |            |      |       |
|--|------------|---------|-----|------|------------|------|-------|
| RAPPORT RATIO                                  | T/MN - RPM | A       |     |      | B          |      | ANGLE |
|  |            | CV - HP | KW  | NM   | T/MN - RPM | NM   |       |
| 1/1.53   | 540        | 320     | 236 | 4245 | 352        | 6509 | 75° * |
| 1/2.07   |            | 252     | 186 | 3346 | 260        | 6942 |       |
| 1/1.53   | 1000       | 436     | 321 | 3121 | 652        | 4785 |       |
| 1/2.07   |            | 429     | 316 | 3069 | 482        | 6368 |       |
| 1/2.36   |            | 400     | 295 | 2865 | 424        | 6758 |       |
| 1/2.83   |            | 377     | 278 | 2700 | 353        | 7643 |       |