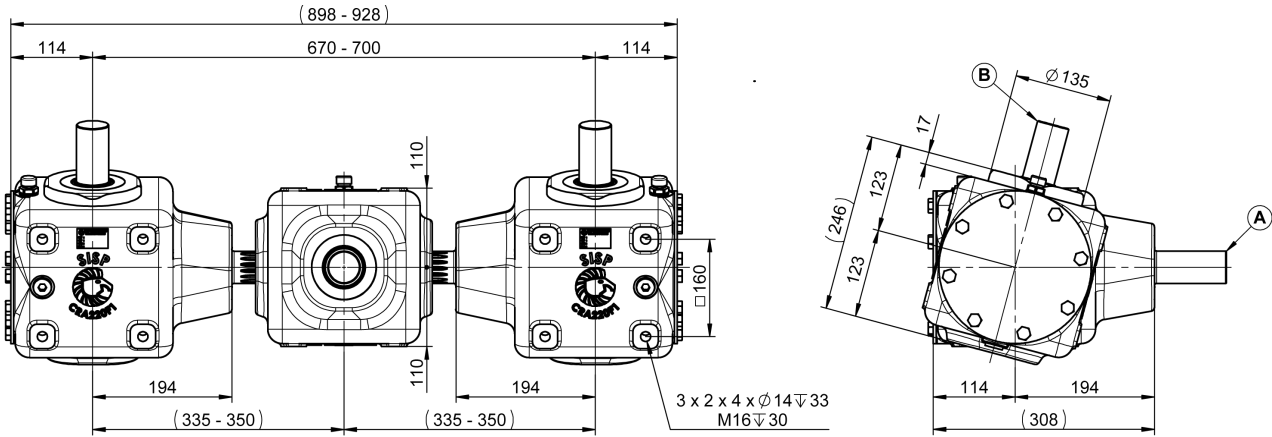




RA220 ENSEMBLE DE TROIS BOITERS

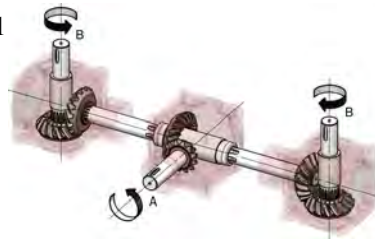
RA220 SET OF THREE GEARBOXES

670 - 700 MM



A N° P1
1"3/8 (6) - 1"3/4 (6)
1"3/4 (20)

B
Ø45 (16) - Ø55 (20)
Ø45 - Ø50



Angle variable / Variable angle



ENTRAXE VARIABLE 670 A 700 MM STANDARD / VARIABLE ENTRAXE FROM 670 TO 700 MM STANDARD

RAPPORT RATIO	A				B	
	T/MN - RPM	CV - HP	KW	NM	T/MN - RPM	NM
1/1.29	540	139	102	1841	420	2367
1/1.54		124	91	1638	351	2520
1/2.08		95	70	1259	259	2620
1/1.54	1000	169	124	1209	650	1860
1/2.08		162	119	1160	480	2414
1/2.37		144	106	1033	423	2445
1/2.81		126	92	899	355	2535

ENTRAXE VARIABLE 670 A 700 MM RENFORCE / VARIABLE ENTRAXE FROM 670 TO 700 MM REINFORCED

1/1.54	540	165	121	2188	351	3366
1/2.08		127	94	1684	259	3505
1/1.54	1000	225	166	1611	650	2478
1/2.08		216	159	1547	480	3219
1/2.37		192	141	1375	423	3254
1/2.81		168	124	1203	355	3393