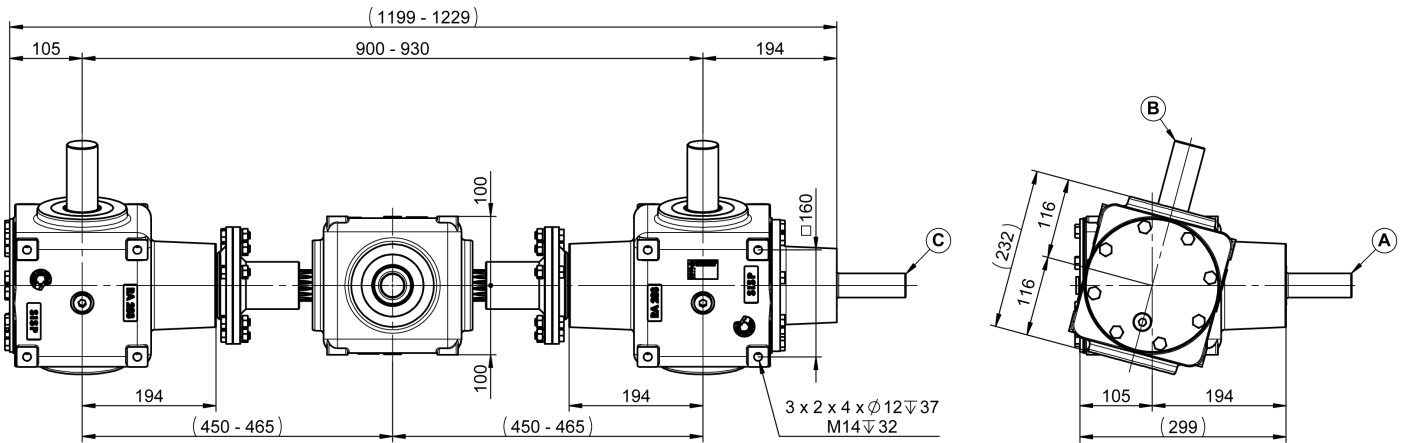




RA203 ENSEMBLE DE TROIS BOITERS

RA203 SET OF THREE GEARBOXES

900 - 930 MM + Lateral Output



A
1"3/8 (6) - 1"3/4 (6)
1"3/4 (20)

B
Ø45 (16) - Ø55 (20)
Ø45 - Ø50

C
1"3/8 (6) - 1"3/4 (6)

Angle variable / Variable angle

1.5 L x3
TM80W90



142 KG

ENTRAXE VARIABLE 900 A 930 MM / VARIABLE ENTRAXE FROM 900 TO 930 MM

RAPPORT RATIO	T/MN - RPM	A			B		C	
		CV - HP	KW	NM	T/MN - RPM	NM	T/MN - RPM	NM
1/1	540	156	115	2072	540	2072	540	1761
1/1.35		155	114	2060	399	2787	540	1751
1/1.54		125	92	1652	351	2542	540	1404
1/1.83		102	75	1346	295	2467	540	1144
1/1.35	1000	265	195	1900	739	2571	1000	1615
1/1.54		213	157	1528	650	2351	1000	1299
1/1.83		175	128	1250	545	2292	1000	1063
1/2.48		129	95	922	403	2288	739	1061
1/3.36		101	74	720	298	2420	545	1122