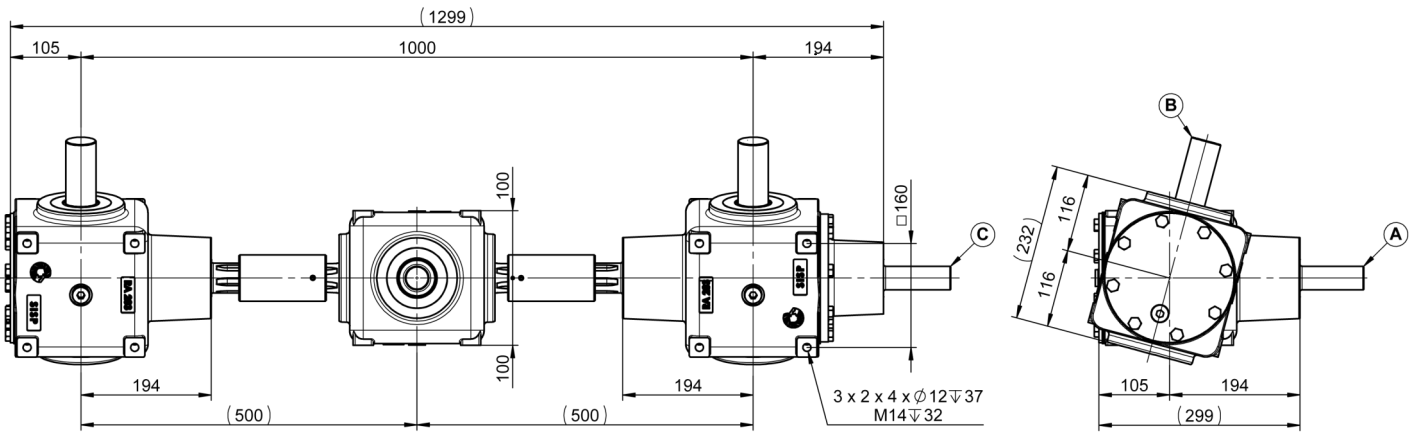




# RA203 ENSEMBLE DE TROIS BOITIER

## RA203 SET OF THREE GEARBOXES

1000 MM + Lateral Output



**A**  
1 3/8 (6) - 1 3/4 (6)  
1 3/4 (20)

**B**  
Ø45 (16) - Ø55 (20)  
Ø45 - Ø50

**C**  
1 3/8 (6) - 1 3/4 (6)

Angle variable / Variable angle

1.5 L x3  
TM80W90



142 KG

ENTRAXE 1000 MM / ENTRAXE 1000 MM									
RAPPORT RATIO	T/MN - RPM	CV - HP	A	KW	NM	B	T/MN - RPM	C	NM
1/1	540	156	115	2072	540	2072	540	1761	
1/1.35		155	114	2060	399	2787	540	1751	
1/1.54		125	92	1652	351	2542	540	1404	
1/1.83		102	75	1346	295	2467	540	1144	
1/1.35	1000	265	195	1900	739	2571	1000	1615	
1/1.54		213	157	1528	650	2351	1000	1299	
1/1.83		175	128	1250	545	2292	1000	1063	
1/2.48		129	95	922	403	2288	739	1061	
1/3.36		101	74	720	298	2420	545	1122	