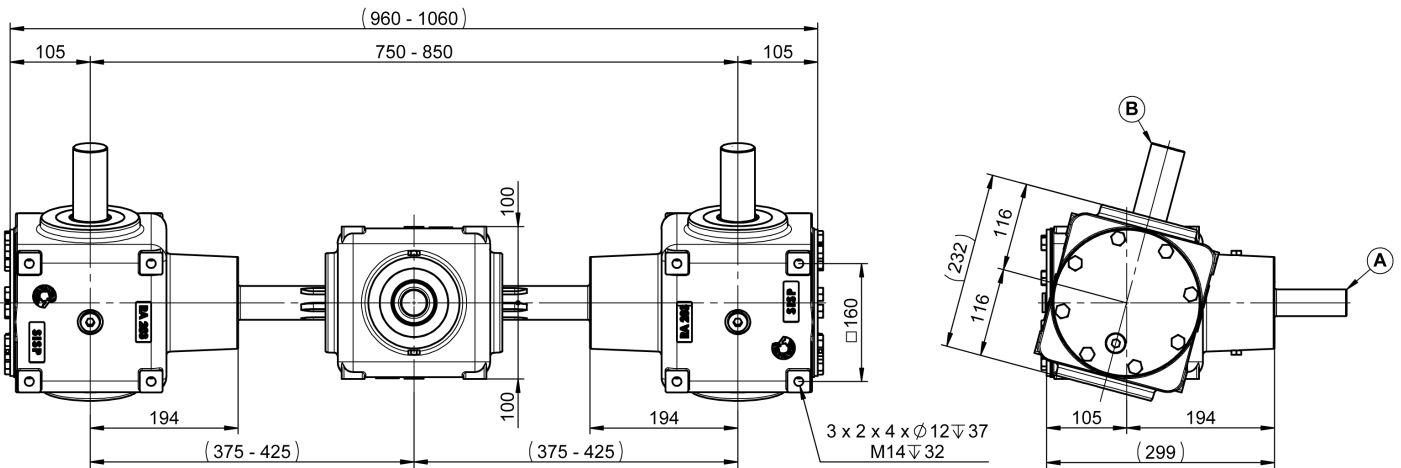




RA203 ENSEMBLE DE TROIS BOITERS

RA203 SET OF THREE GEARBOXES

750 - 850 MM

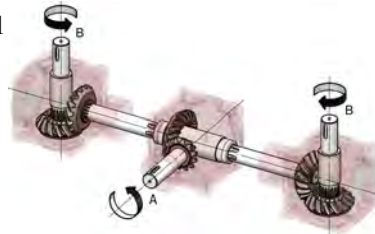


A
1"3/8 (6) - 1"3/4 (6)
1"3/4 (20)

B
 $\varnothing 45$ (16) - $\varnothing 55$ (20)
 $\varnothing 45$ - $\varnothing 50$

Angle variable / Variable angle

N° P1



1.5 L x3
TM80W90

127 KG

ENTRAXE VARIABLE 750 A 850MM / VARIABLE ENTRAXE FROM 750 TO 850 MM

RAPPORT RATIO	T/MN - RPM	A			B	
		CV - HP	KW	NM	T/MN - RPM	NM
1/1	540	156	115	2072	540	2072
1/1.35		155	114	2060	399	2787
1/1.54		125	92	1652	351	2542
1/1.83		102	75	1346	295	2467
1/1.35	1000	265	195	1900	739	2571
1/1.54		213	157	1528	650	2351
1/1.83		175	128	1250	545	2292
1/2.48		129	95	922	403	2288
1/3.36		101	74	720	298	2420