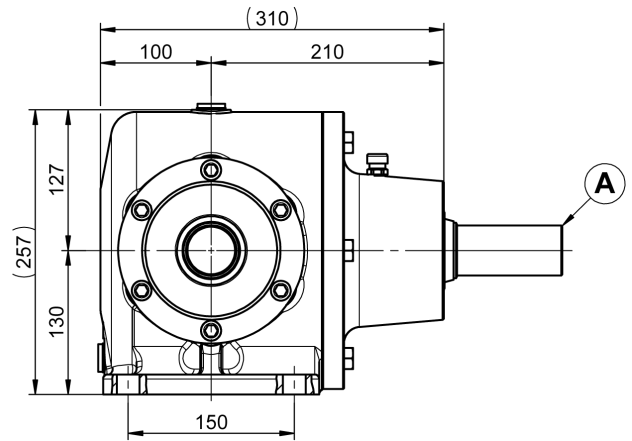
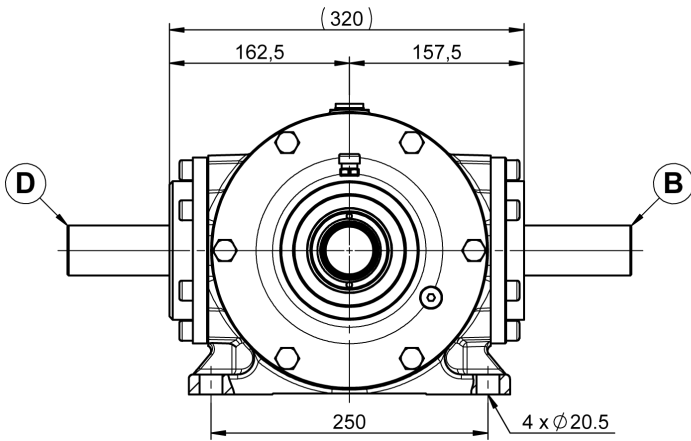




RAR250 RENVOI D'ANGLE

RAR250 GEARBOX



A - B - D
 Ø45 - 1"3/4 (6)
 1"3/4 (20) - Ø45 (16)



RAPPORT RATIO	T/MN - RPM	B - D			A	
		CV - HP	KW	NM	T/MN - RPM	NM
1/1.87	540	128	94	1692	289	3156
1/2.07		115	85	1524	261	3150
1/1.87	1000	219	161	1568	536	2924
1/2.07		197	145	1412	483	2920

RAPPORT RATIO	T/MN - RPM	A			B - D	
		CV - HP	KW	NM	T/MN - RPM	NM
1.87/1	540	238	175	3150	1008	1690
2.07/1		214	157	2837	1121	1367

