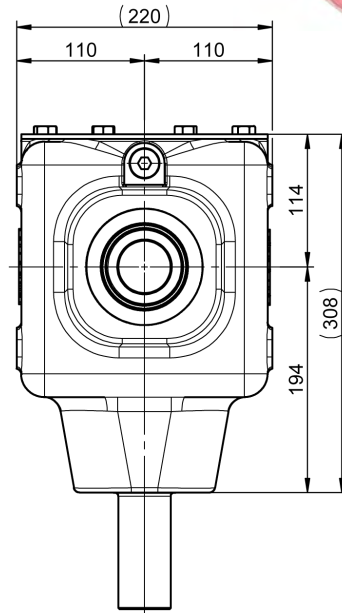
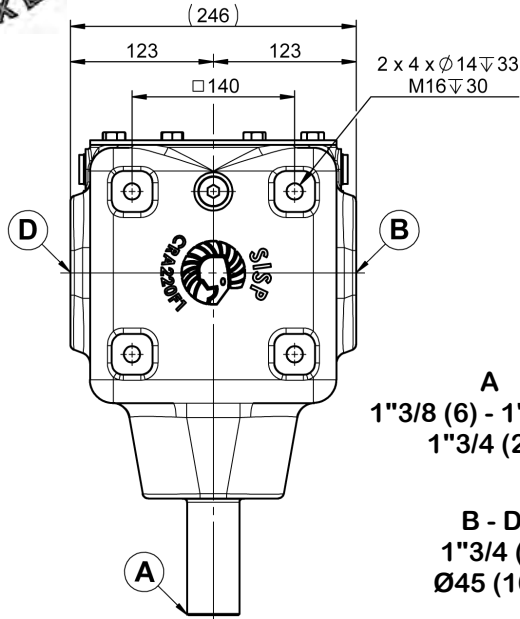




RA220 RENVOI D'ANGLE

RA220 GEARBOX



A
1"3/8 (6) - 1"3/4 (6)
1"3/4 (20)

B - D
1"3/4 (6)
Ø45 (16)

2 L
TM80W90

46 KG

ENTREE A VERSION STANDARD / INPUT A STANDARD VERSION

RAPPOR RATIO	T/MN - RPM	A			B - D	
		CV - HP	KW	NM	T/MN - RPM	NM
1/1	540	156	115	2070	540	2070
1/1.35		155	114	2060	400	2780
1/1.54		124	91	1650	350	2528
1/1	1000	266	196	1910	1000	1910
1/1.35		265	195	1900	740	2596
1/1.54		212	156	1528	650	2344

ENTREE A VERSION RENFORCEE / INPUT A REINFORCED VERSION

RAPPOR RATIO	T/MN - RPM	A			B - D	
		CV - HP	KW	NM	T/MN - RPM	NM
1/1.54	540	168	124	2232	350	3412
1/1.83		132	97	1756	294	3204
1/1.54	1000	288	212	2064	650	3156
1/1.83		228	167	1632	545	2984

RAPPOR RATIO	T/MN - RPM	B - D			A	
		CV - HP	KW	NM	T/MN - RPM	NM
1.54/1	540	192	141	2540	832	1652

