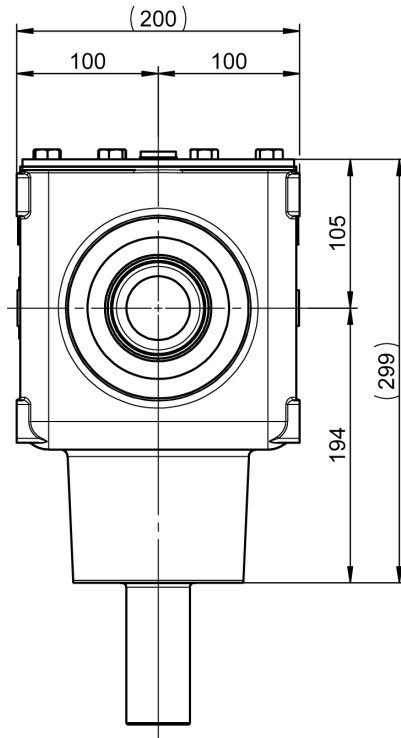
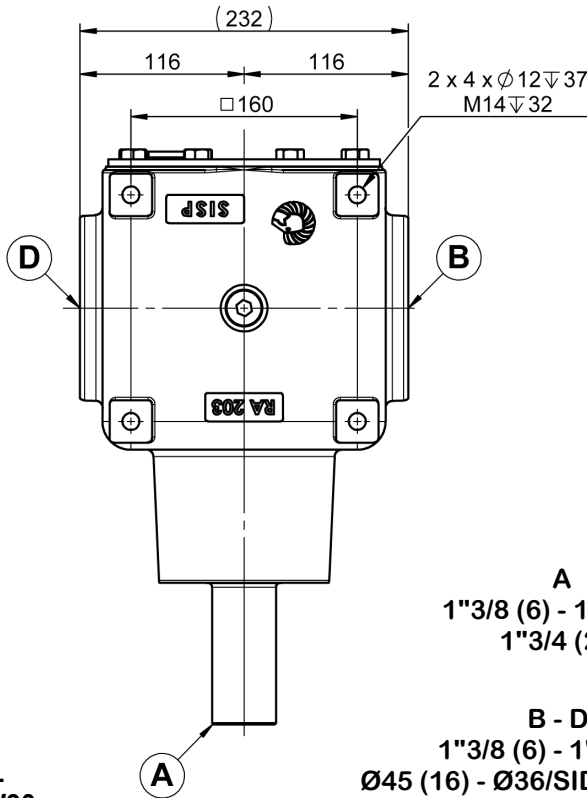




RA203 RENVOI D'ANGLE

RA203 GEARBOX



A
 1"3/8 (6) - 1"3/4 (6)
 1"3/4 (20)

B - D
 1"3/8 (6) - 1"3/4 (6)
 Ø45 (16) - Ø36/SIDE - Ø41/SIDE

1.5 L
 TM80W90

42 KG

RAPPORT RATIO	T/MN - RPM	A			B - D	
		CV - HP	KW	NM	T/MN - RPM	NM
1/1	540	156	115	2070	540	2070
1/1.35		155	114	2060	400	2780
1/1.83		101	74	1332	295	2444
1/1	1000	266	196	1910	1000	1910
1/1.35		265	195	1900	740	2596
1/1.83		174	128	1244	546	2281

RAPPORT RATIO	T/MN - RPM	B - D			A	
		CV - HP	KW	NM	T/MN - RPM	NM
1.35/1	540	209	154	2780	729	2060
1.83/1		184	135	2436	988	1332

