

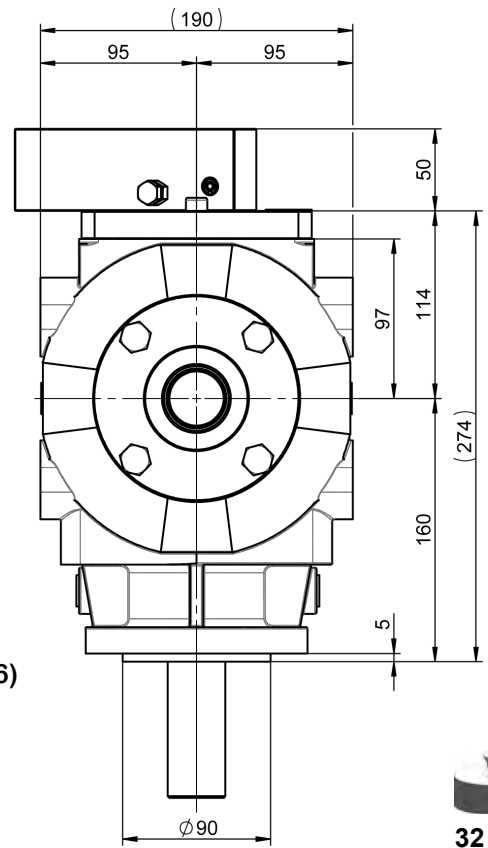
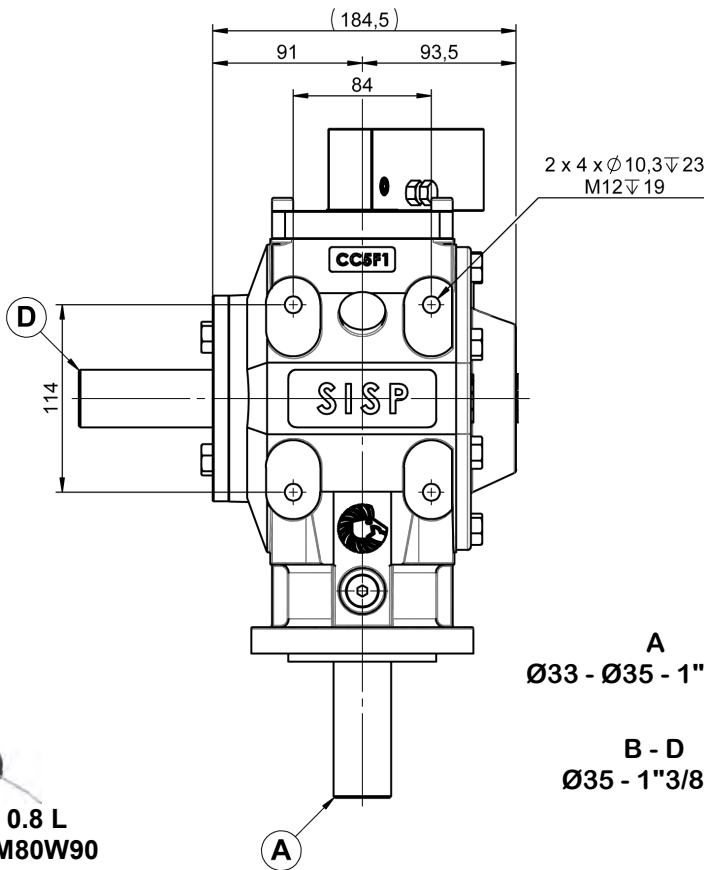


# C5 RENVOI D'ANGLE INVERSEUR

## C5 INVERTER GEARBOX



Denture conique droite / Straight bevel gear



**A**  
Ø33 - Ø35 - 1"3/8 (6)

**B - D**  
Ø35 - 1"3/8 (6)

0.8 L  
TM80W90

32 KG

RAPPOR RATIO	T/MN - RPM	CV - HP	A			B - D	
			KW	NM	T/MN - RPM	NM	
1/3	540	30	22	346	180	1210	

RAPPOR RATIO	T/MN - RPM	CV - HP	B - D			A	
			KW	NM	T/MN - RPM	NM	
3/1	540	50	37	661	1620	220	

